

10X7M MOBILE STAGE - MST-10/07

TECHNICAL DATA

STAGE

Dimensions	Width	10.00m	A
	Depth	7.00m	B
	Height - min/max	1.15/1.45m	C
Capacity	UDL - per square metre	500kg	
	UDL - total	25,000kg	

ROOF

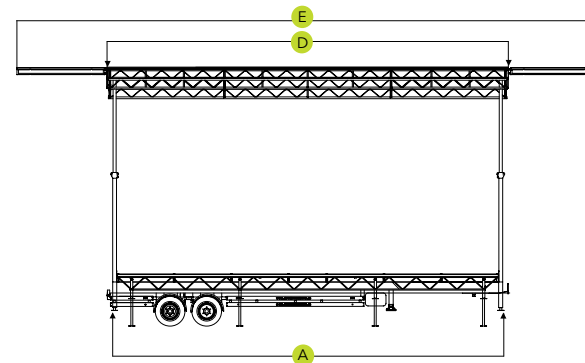
Dimensions	Width - excluding pa fly-wings	10.21m	D
	Width - including pa fly-wings	14.94m	E
	Depth	8.30m	F
	Height - downstage - min/max	6.58/6.89m	G
	Height - upstage - min/max	6.22/6.52m	H
Clearance	Stage to truss - downstage	5.23m	J
	Stage to truss - upstage	4.87m	K
	Stage to roof - downstage	5.50m	L
	Stage to roof - upstage	5.09m	M
Capacity	UDL - per truss	320kg	
	CPL - per truss	160kg	
	UDL - total - excluding pa fly-wings	1,280kg	
	UDL - pa fly-wing - per side	200kg	

TRAILER

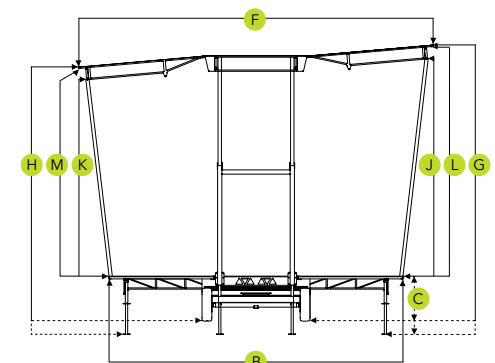
Dimensions	Length - excluding tractor unit	10.60m
	Width	2.50m
	Height	3.91m
Weight	Maximum	9,000kg

INSTALLATION

Crew	1 Technician
	1 Stagehand
Time*	1.5hr
Power requirement	16A 1ph



Side elevation



End elevation

*Approximate and subject to ground conditions, branding requirements and additional equipment.

E&OE. Information supplied is approximate and subject to change.