

8X6M MOBILE STAGE - MST-08/06

TECHNICAL DATA

STAGE

| | | | |
|------------|------------------------|------------|----------|
| Dimensions | Width | 8.00m | A |
| | Depth | 6.00m | B |
| | Height - min/max | 1.15/1.35m | C |
| Capacity | UDL - per square metre | 350kg | |
| | UDL - total | 16,800kg | |

ROOF

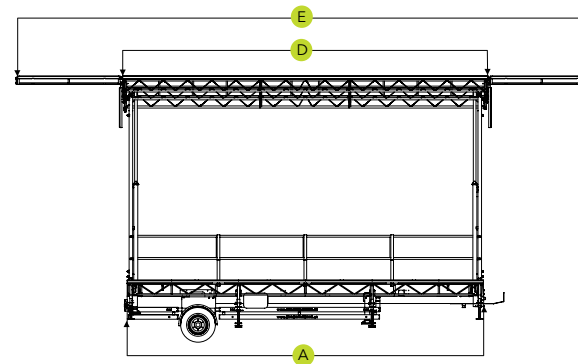
| | | | |
|------------|--------------------------------------|------------|----------|
| Dimensions | Width - excluding pa fly-wings | 8.20m | D |
| | Width - including pa fly-wings | 12.93m | E |
| | Depth | 7.17m | F |
| | Height - downstage - min/max | 5.72/5.92m | G |
| | Height - upstage - min/max | 5.02/5.22m | H |
| Clearance | Stage to truss - downstage | 4.23m | J |
| | Stage to truss - upstage | 3.87m | K |
| | Stage to roof - downstage | 4.50m | L |
| | Stage to roof - upstage | 4.01m | M |
| Capacity | UDL - per truss | 320kg | |
| | CPL - per truss | 160kg | |
| | UDL - total - excluding pa fly-wings | 1,280kg | |
| | UDL - pa fly-wing - per side | 200kg | |

TRAILER

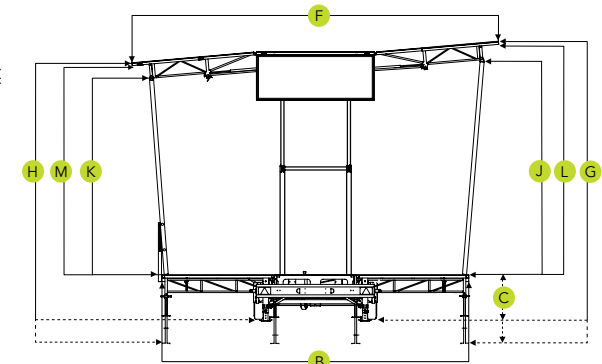
| | | |
|------------|---------------------------------|---------|
| Dimensions | Length - excluding tractor unit | 8.60m |
| | Width | 2.50m |
| | Height | 3.60m |
| Weight | Maximum | 6,000kg |

INSTALLATION

| | |
|-------------------|--------------|
| Crew | 1 Technician |
| | 1 Stagehand |
| Time* | 1hr |
| Power requirement | 16A 1ph |



Side elevation



End elevation

*Approximate and subject to ground conditions, branding requirements and additional equipment.

E&OE. Information supplied is approximate and subject to change.